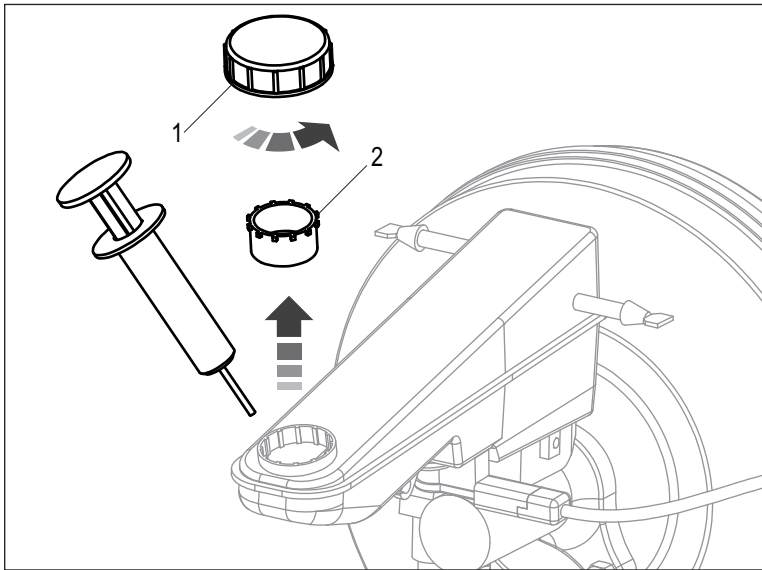
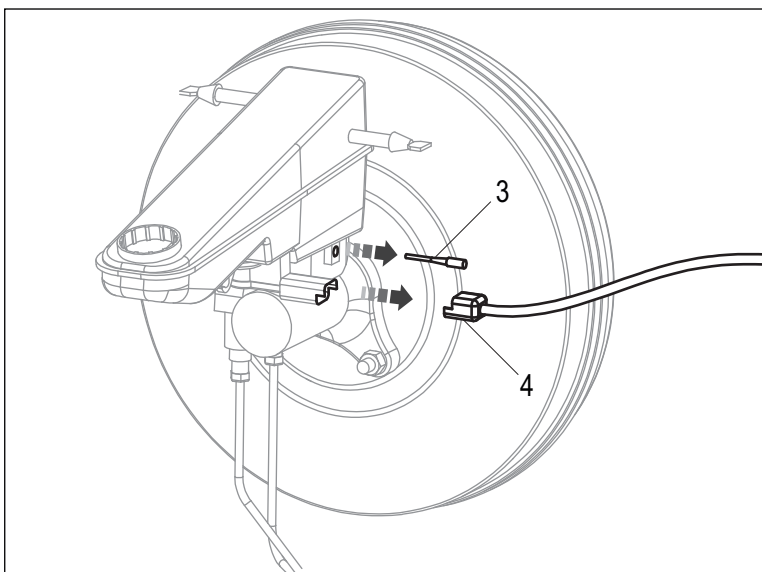


REMOVE



- 1 Open the tank cap (1) and remove the filter (2). Empty the expansion tank by sucking the brake fluid.

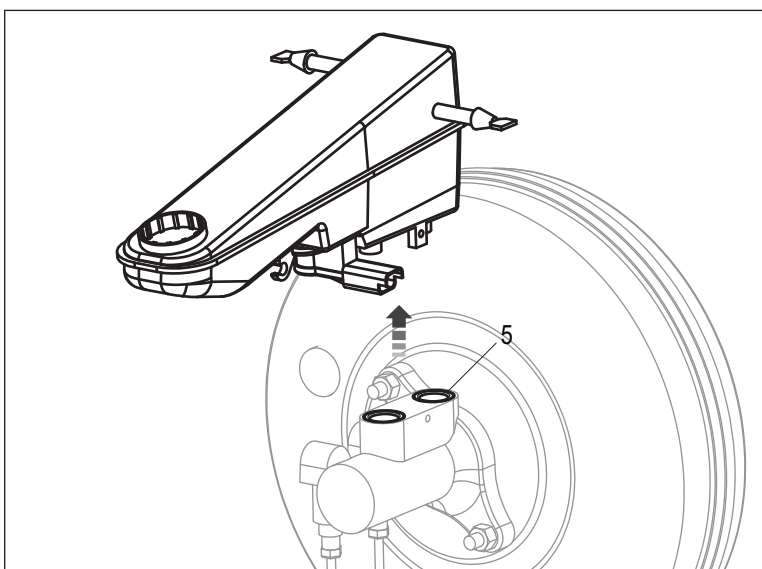


- 2 Unplug the level sensor connector (4) and unscrew the tank retaining bolt (3).

Installation:



Torque 5 Nm



- 3 Gently pull out the expansion tank from the master cylinder.

Check the master cylinder seals (5) for any crack or damage and replace them if necessary.

INSTAL

Installation procedure is the reverse of removal, except for the following:
Refill the tank with new brake fluid.